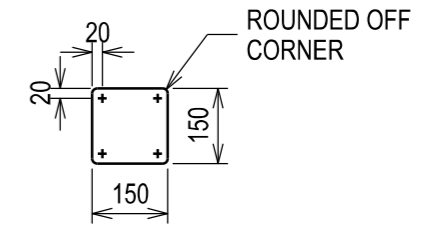


PEDESTRIAN ALUMINIUM ALLOY RAILINGS - TYPE C & D

JOB No: 0414-NYI-0196 ID :

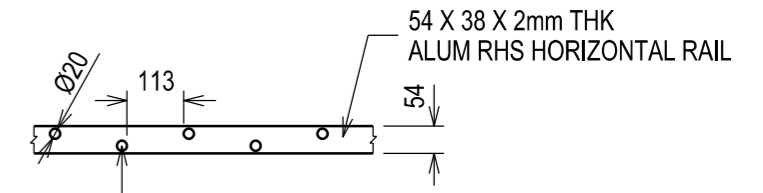
DELIVERY DATE

Morning Afternoon
 Before After Time:



DETAIL OF BASE PLATE

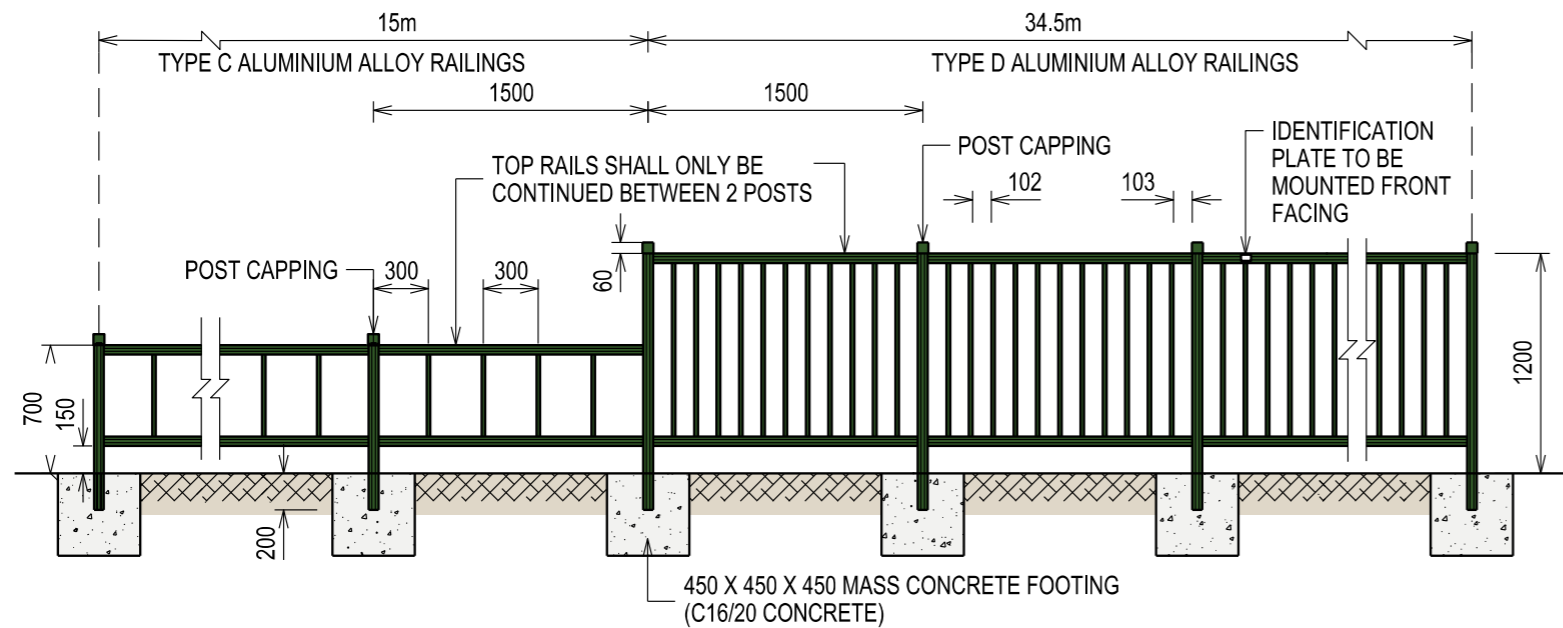
SCALE 1:20



STAGGERED Ø20 X 1.5mm
THICK ALUM TUBE INFILL BAR

PART PLAN OF INFILL BAR ARRANGEMENT (TYPE F)

SCALE 1:20

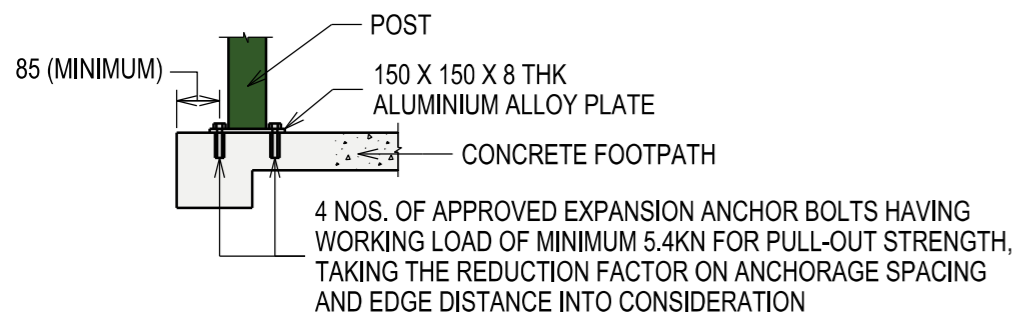


TYPE C ALUMINIUM ALLOY RAILINGS

SCALE 1:50

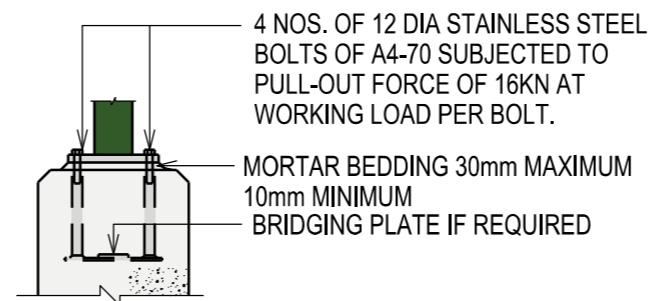
TYPE D ALUMINIUM ALLOY RAILINGS

SCALE 1:50



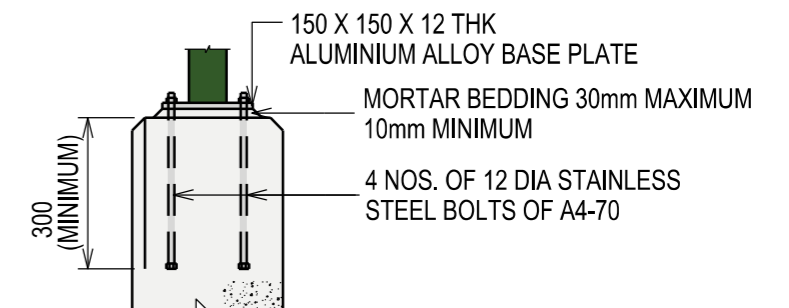
ANCHORAGE DETAIL OF POST TO FOOTPATH

SCALE 1:20



**TYPICAL DETAIL OF RAILING FIXING TO
CONCRETE STRUCTURE BY CAST-IN CRADLES**

Note : Cast-in cradles may be used as an alternative
when the embeded depth is not available
SCALE 1:20



**TYPICAL DETAIL OF RAILING FIXING TO CONCRETE
STRUCTURE BY INDIVIDUAL ANCHORAGE FIXINGS**

SCALE 1:20